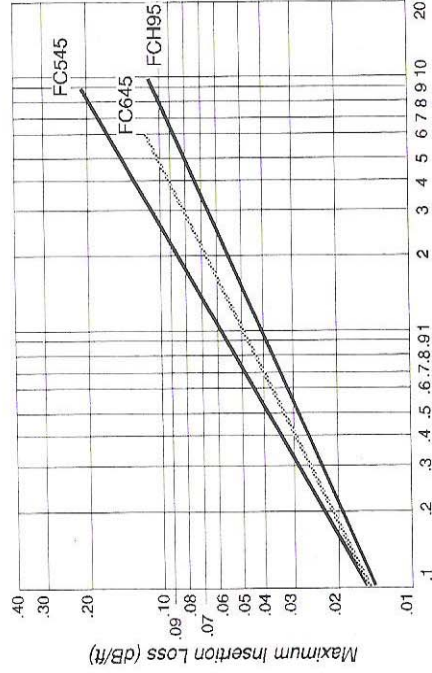
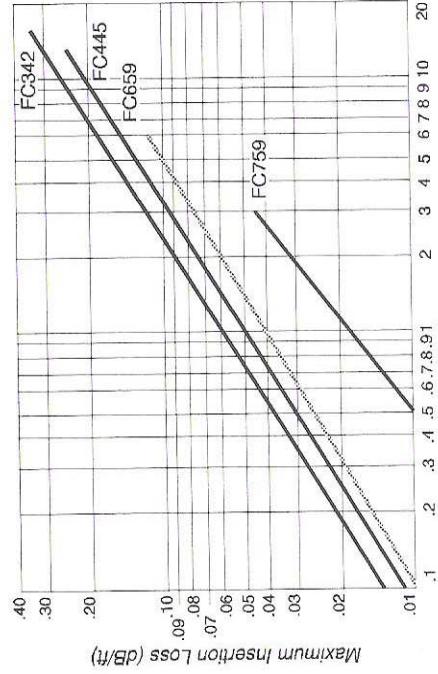


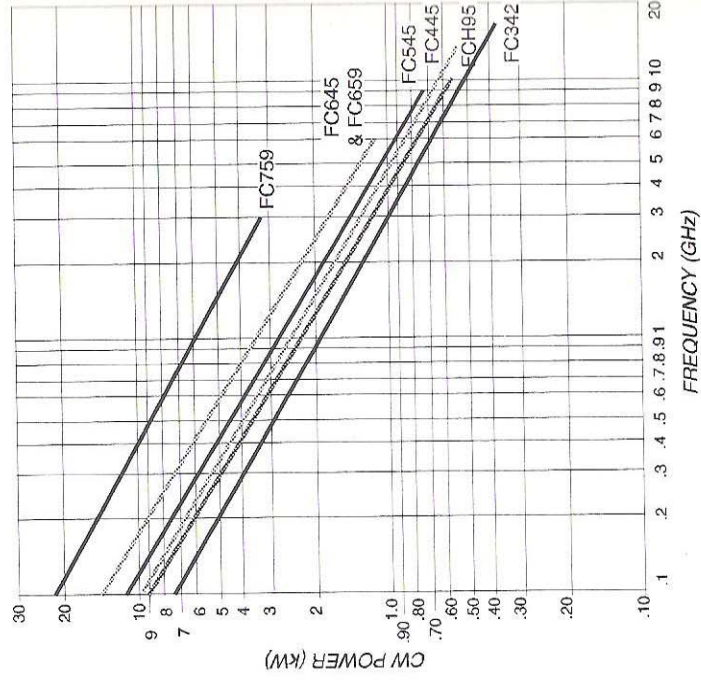
KW SERIES

HIGH POWER HANDLING

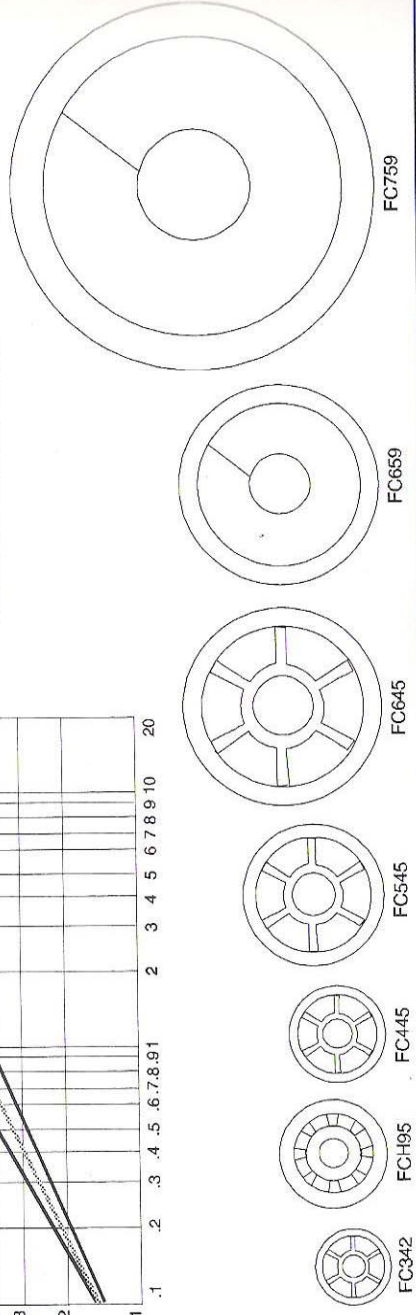
INSERTION LOSS



AVERAGE POWER, kW



ACTUAL UNJACKETED SIZE, NOMINAL



ELECTRICAL CHARACTERISTICS

	FC342	FCH95	FC445	FC545	FC645	FC659	FC759
Maximum Frequency (GHz):	16.0	10.0	14.0	9.5	6.0	6.0	3.0
Impedance, nominal (Ohms):	50	50	50	50	50	50	50
Velocity of Propagation:	80.0%	91.8%	84.0%	80.0%	80.0%	87.0%	88.0%
Effective Dielectric Constant:	1.60	1.19	1.42	1.56	1.56	1.56	1.29
Shielding Effectiveness (dBc min.):	-90	-90	-90	-90	-90	-90	-90
Dielectric Withstanding Voltage (KV):	5.0	3.0	5.0	5.0	5.0	10.0	10.0
Nominal Capacitance (pF/ft):	28.0	24.0	24.0	25.0	26.0	24.0	24.0
Time Delay (ns/ft):	1.27	1.11	1.21	1.27	1.27	1.17	1.15

Contact Flexco Microwave at 800-84-FLEXCO or www.FlexcoMW.com